

**BIZERBA**  
USA INC.



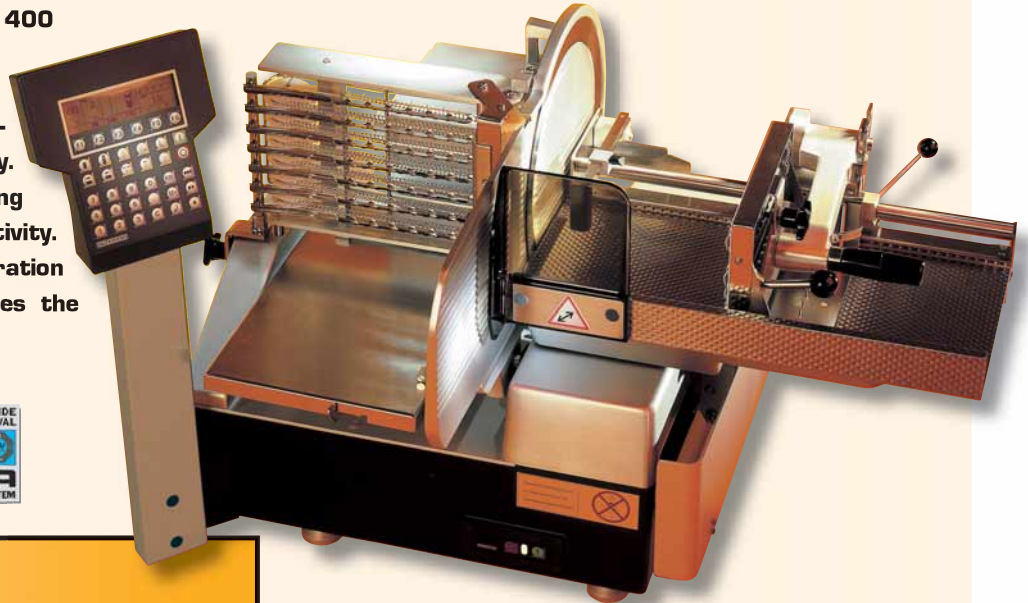
Proudly Sold & Serviced By:  
**Able Scale Co Pty Ltd**  
Ph: 1300 731 360

21 Green St Thomastown VIC. 3074

find us on the web: [www.able-scale.com.au](http://www.able-scale.com.au)

## A 400 SERIES – FULLY AUTOMATIC SLICER

The fully automatic Bizerba A 400 series has been a success in the U.S. market since 1992. This heavy - duty slicer is designed to run 2 shifts a day. Precise stacking and shingling programs increase productivity. The virtually hands-free operation improves hygiene and reduces the risk of cross-contamination.



### → A 400 (Table version)

- Stack, shingle, shave
- Programmable with up to 99 memories
- Max. Stack height = 3.5"
- Shingle traditionally, transverse, multi-layer, multi-row (3).
- Adjustable distance between slices, 3mm – 50mm.
- Total shingle portion length = 10".
- Shaving with optional attachment.
- Standard 13" blade.
- Product size round: Min. = 2", Max. = 7"
- Product size rectangular:  
Min. = 2" X 2". Max. 6.89" X 9.45".
- Product up to 15" long without re-clamping
- Multiple chubs in carriage for full production.  
Up to 10" wide.
- Slice thickness = 0.5 – 12mm. Adjustable in tenths.
- Adjustable carriage speed: 30 – 55 strokes per minute
- Cleaning and Sharpening programs for total safety.
- Two carriage lengths available. 400mm and 600mm.
- Built in diagnostic program.
- Optional mobile stand.

### → BEST BLADE IN THE INDUSTRY!

The unique design of our blade produces clean and consistent slices. The hardness results in a long lasting sharp edge. The life of the blade is dramatically longer than the competition. The circumference translates into an additional 4" of blade passing through the product per revolution. Our standard blade is the hardest, thinnest, largest, straightest blade in the industry.

- 13" diameter, chromium coated hard alloy.
- 60-62 Rockwell hardness at the edge.

**Safety, precision and proven Bizerba quality are the outstanding features of the fully automatic A 400 series.**



**BIZERBA USA Inc.** • 31 Gordon Road • Piscataway • New Jersey 08854

Phone: (732)819-0121 • Fax (732)819-0429 • [www.bizerbausa.com](http://www.bizerbausa.com) • E-mail: [admin@bizerbausa.com](mailto:admin@bizerbausa.com)

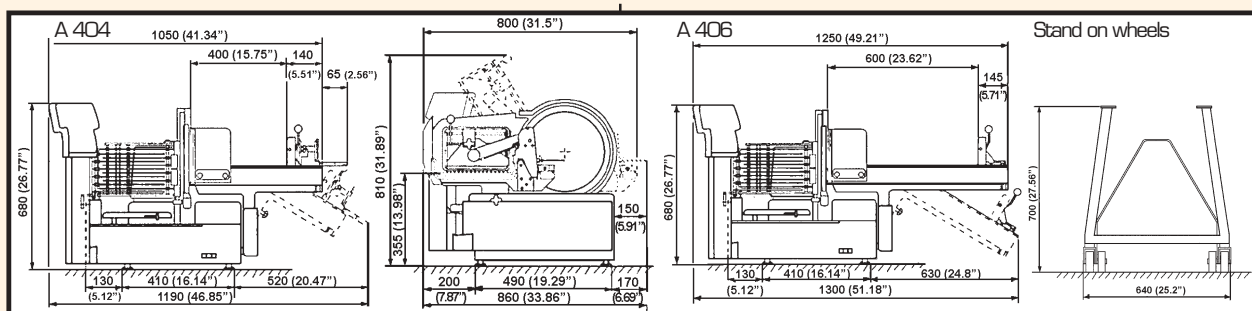
## → TECHNICAL DATA

Current type	Voltage V	Frequency Hz	Rated amperage A	Power consumption kW
→ 1-phase AC	120 230*	60 50	2.9 3.1	0.3 0.7
→ 3-phase AC	230/400*	50	1.8/1.1	0.6
→ Blade diameter:	330 mm (13")			
→ Blade speed:	266 rpm			
→ Product size:	Round: Min. 50 mm (1.97") Max. 180 mm (7.08") Rectangular: Min. 50 x 50 mm (1.97" x 1.97") Max. 175 x 240 mm (6.89" x 9.45")			
→ Slice thickness:	0.5-12 mm (0.02"-0.47")			
→ Program memory:	99			
→ Carriage speed:	variable between 30 and 55 strokes per minute			
→ Receiving tray:	= 254 x 346mm (10" x 13.62")			
→ Paper/foil size:	1/8 sheet, min. 360 x 240 mm (14.17" x 9.45") max. 375 x 250 mm (14.76" x 9.84")			
→ Receiving tray movement:	Horizontal = 160 mm (6.3"), vertical = 90 mm (3.54")			
→ Stack height:	max. 90 mm (3.54")			
→ Dimensions mm (inches):				

→ Machine footprint:	Width 410 mm (16.14"), depth 490 mm (19.3"); Reduced: Width 410 mm (16.14"), depth 400 mm (15.75")
→ Space required:	A 404 1) Width 1190 mm (46.85"), depth 860 mm (33.86"), height 810 mm (31.9") A 406 2) Width 1300 mm (51.18"), depth 860 mm (33.86"), height 680 mm (26.77")
→ Outside dimensions:	A 404 Width 1050 mm (41.34"), depth 800 mm (31.5"), height 680 mm (26.77") A 406 Width 1250 mm (49.21"), depth 800 mm (31.5"), height 680 mm (26.77")
→ Gross weight:	A 404 / A 406 109 kg (239.8 lb), stand 16 kg (35.2 lb)
→ Shipping crate:	A 404 Length 1100 mm (43.30"), width 900 mm (35.43"), height 1030 mm (40.55") A 406 Length 1300 mm (51.18"), width 900 mm (35.43"), height 1050 mm (41.34")

\* ) This voltage is special order

1) Carriage for 400 mm product length (15.75")  
2) Carriage for 600 mm product length (23.62")



## → WARRANTY

The A 400 carries a one-year, on-site parts and labor warranty against any flaws in materials and workmanship. This period begins with the date of purchase and, provided the unit is used properly in accordance with our instructions, is in full effect for one year from that date. Any work to be performed under this warranty must be performed between the hours of 8:00 a.m. and 4:30 p.m. local time, Monday to Friday. Bizerba will not pay overtime charges for work performed other than during normal business hours. Accessories have a 30-day replacement or repair warranty for the period beginning on the date of purchase. Damages incurred in transit or from installation error, accident, alteration or misuse are not covered. Transit damages should be reported to the carrier immediately. Bizerba shall not be liable for any consequential, compensatory, incidental, or special damages. All warranty work must be performed by a factory authorized Bizerba Representative.