

AP-1

Price Computing Scale

- 15lb, 30lb and 60lb Dual Range
- 28 Preset Keys
- 200 PLU Memory
- Accumulator Feature



ISO 9001 certified

CAS
S • C • A • L • E

AP - 1 Price Computing Scale

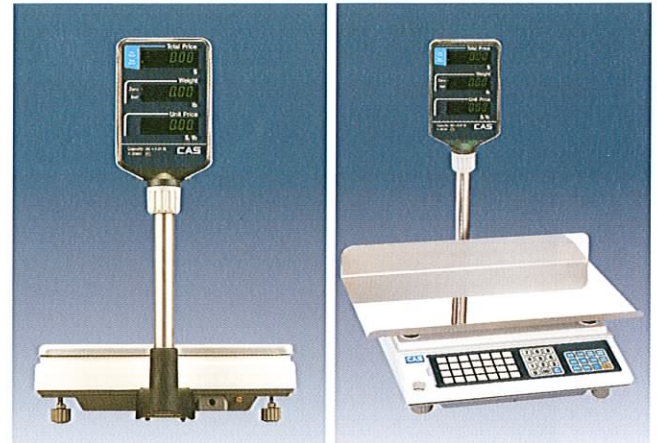
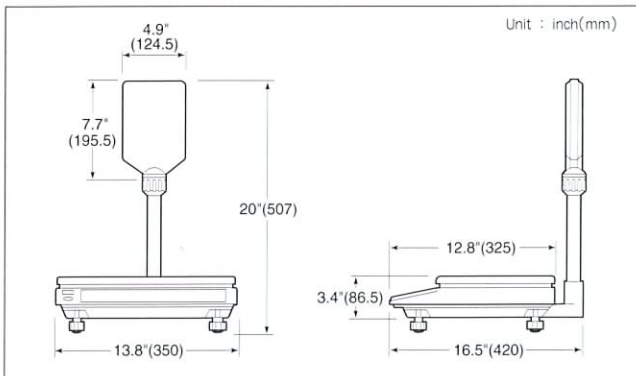
FEATURES

- 200 Price Look Up's with 28 Preset Keys for Fast Look Up of Common Prices
- Zero, Tare, Tare Save, PrePack
- ADD + Total Keys (15lb & 30lb only)
- VFD Displays
- 6 Digit Unit Price and Total Price, 5 Digit Weight Displays
- Stainless Steel Platter
- 1/2 lb. and 1/4 lb. Keys, where allowed
- Auto Span Adjustment & Auto Zero Tracking

SPECIFICATIONS

| Model | AP - 1 | | |
|------------------------|--|-------------------------|------------------------------|
| Weighing Capacity | 15 × 0.005 lb | 30 × 0.01 lb | 30 × 0.01 lb 60 × 0.02 lb |
| Display Digit | Total price / Weight / Unit price (5 / 6 / 6) | | |
| Display Designators | Zero and Tare | | |
| Maximum Tare | - 15.00 lb / - 6.000 kg | - 30.00 lb / - 9.995 kg | |
| Power Source | AC 120V, 60Hz | | |
| Power Consumption | Approx. 10W | | |
| Operating Temperature | - 10°C ~ +40°C (14°F ~ 104°F) | | |
| Platter Size (inch/mm) | Normal : 13.6(W) × 8.6(D) / 345(W) × 225(D) Large : 17.3(W) × 10.8(D) / 440(W) × 275(D) | | |
| Dimensions (inch/mm) | 13.8(W) × 16.5(D) × 20(H) / 350(W) × 420(D) × 507(H) | | |
| Product Weight | 14.3 lb / 6.5 kg | | |

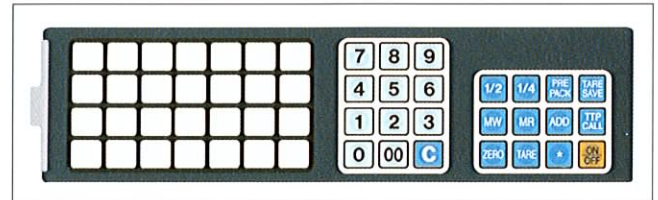
DIMENSIONS



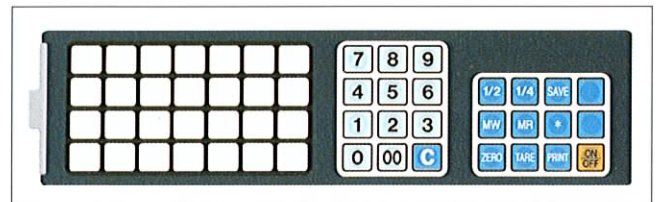
Display On The Rear Side

Large Platter

KEY BOARD (30lb)



(60lb)



OPTIONS

- Produce Platter : 17.3(W) × 10(D) × 2(H) inch / 440(W) × 275(D) × 50(H) mm
- Wet Cover



CAS USA Corporation

NJ OFFICE
99 Murray Hill Parkway
East Rutherford, NJ 07073
(201) 933-9002 Phone
(201) 933-9025 Fax

<http://www.cas-usa.com>

CA OFFICE
1265 N, Manassero st, Suite 310
Anaheim, CA 92807
(714) 693-1936 Phone
(714) 693-9213 Fax



Proudly Sold & Serviced By:

Able Scale Co Pty Ltd
Ph: 1300 731 360

21 Green St Thomastown VIC. 3074

find us on the web: www.ablescale.com.au