

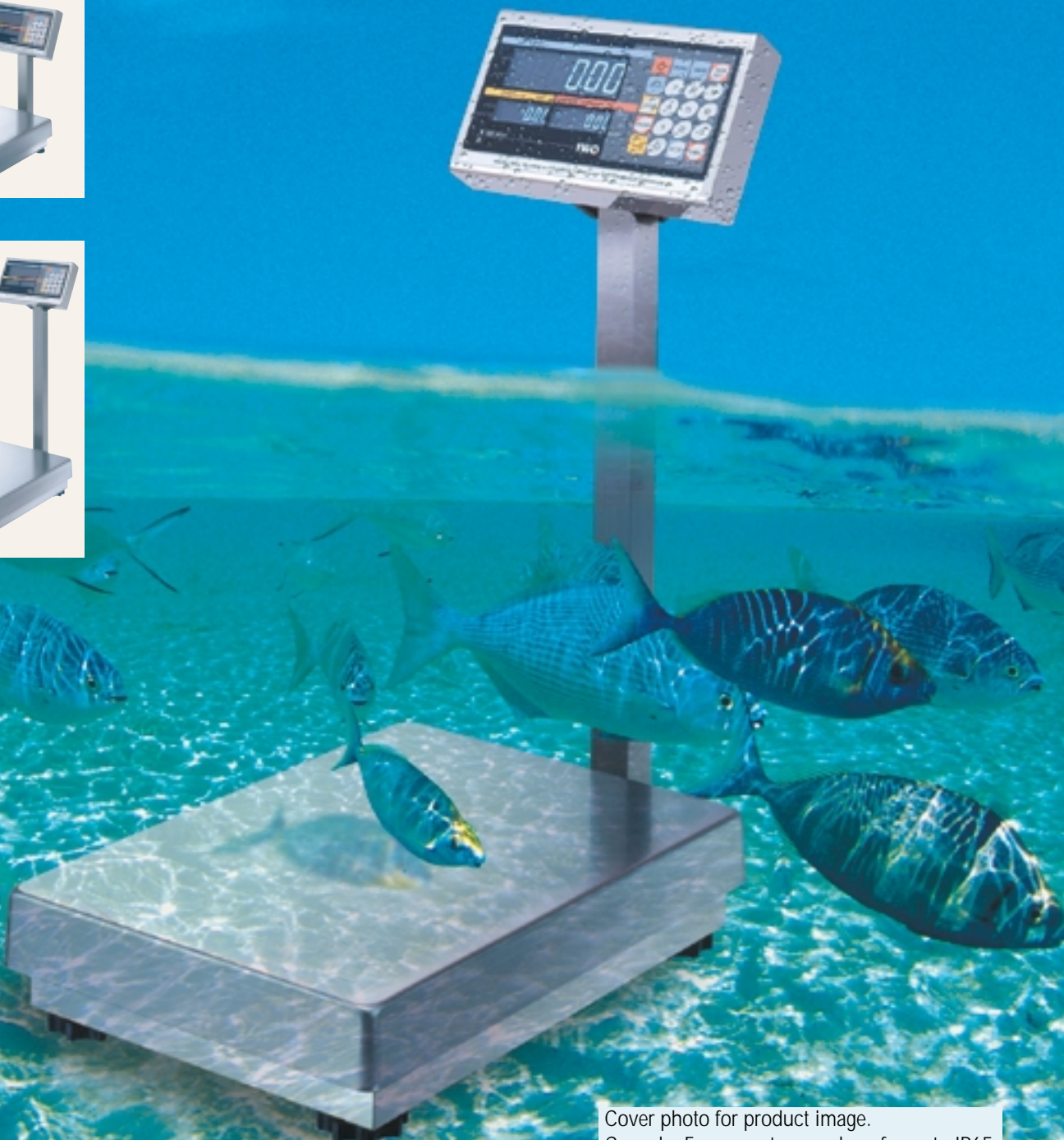
# IWQ Series

Conforms to IP67, Water-resistant / Stainless Steel Scale

IWQ-30



IWQ-150



Cover photo for product image.  
Console: European type and conforms to IP65.

# Ideal for meat and seafood industries

## – reliable water-resistant scale even under harsh conditions

### ● Water-resistant Scale Made Completely of Stainless Steel, Conforming to IP-67 (Console: IP-65)

Allows washing and water splashing, which realizes easy cleaning and outstanding durability. For the first time in the industry the load cell has been coated with acrylic resin to make it completely waterproof.



### ● Autoranging Feature

Weighing range changes depending on product weight. No need to use several scales for different weighing capacities.

### ● Checkweighing Function for Quality Control

Upper and lower weight limits can be set to check if the product weight is within the specified range. Suitable for controlling the filling quantity of packed food, etc.

\* An optional relay allows for interlock with a display lamp or sequencer.

### ● Large, Bright Display

A large fluorescent display provides superior visibility.



European design



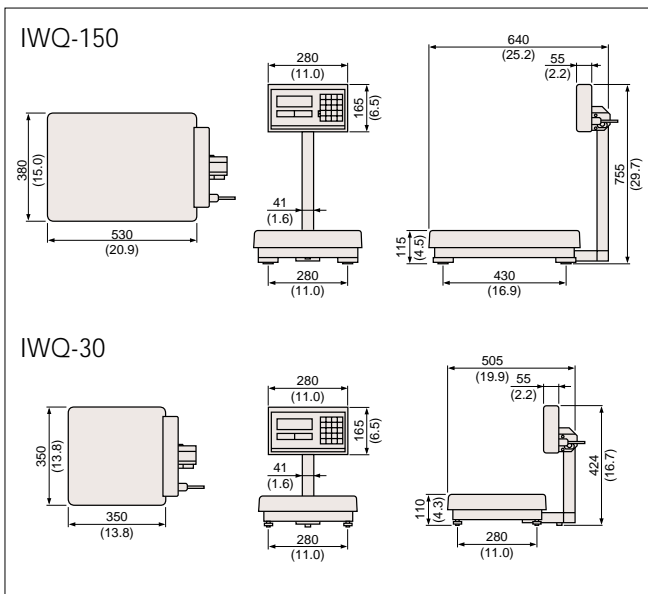
### ● Counting Function

The numeric keypad allows easy operation in counting mode. Single weight and total weight can be displayed at the same time.

### ● Relay Output (Option)

Linking a lamp or sequencer is also possible by the relay output.

## ■ Dimensions unit: mm (inch)



\* Longer pole available

## ■ Specifications

Models	IWQ-150	IWQ-30
Capacity/ Minimum Graduation	150 kg/50 g 60 kg/20 g (dual)	30 kg/10 g 15 kg/5 g (dual)
Display	Fluorescent	
Weight Check	over, accept, under	
Display Items	Upper/lower limit & tare presetting (5 digits each)	
Weight	18 kg	10 kg
Waterproof Construction	IP-67 (Console: IP-65)	
Power Supply	AC100V 240V +/-10%, 50/60Hz	
Option	Output via RS232C	

Ishida, the world leader in weighing technologies, manufactures a full line of retail scales.



Scale Printer  
"ASTRA"

**ISHIDA**

**ISHIDA CO., LTD.**

44 SANNO-CHO, SHOGIN, SAKYO-KU  
KYOTO, 606-8392 JAPAN  
PHONE : 81-75-771-4141  
FACSIMILE: 81-75-751-1634  
URL: <http://www.ishida.co.jp>

Design and specifications are subject to change without notice.



Proudly Sold & Serviced By:

**Able Scale Co Pty Ltd**

**Ph: 1300 731 360**

21 Green St Thomastown VIC. 3074

find us on the web: [www.ablescale.com.au](http://www.ablescale.com.au)