

Dust & Water-Proof Precision Balances

FZ-iWP **FX-iWP**

Series



FZ-iWP



FX-iWP



A&D ...Clearly a Better Value
A&D Company, Limited
<http://www.aandd.jp>

The World's First IP65 Compliant, Dust & Water-Proof Precision (1 mg) Balances

Yet another breakthrough from A&D enabling the measurement of powder or liquid at 1 mg resolution, eliminating any worries about damage to the balance!

What does "IP65" mean?

An International Protection (IP) Code, as defined by the international standard IEC 60529, specifies the degrees of protection provided by enclosures. The two digits next to IP indicate the levels of protection against solid foreign objects (first digit) and water (second digit). For example, a device rated as IP65 should permit no ingress of dust (level 6) and withstand water jetting from any direction (level 5).



Newly Developed, Air-Pump Controlled Internal Calibrationⁱ (FZ-iWP models only) *ⁱ Patent Pending

For the internal calibration of the FZ-iWP Series, A&D adopted a direct-driving method that utilizes air pressure for its power source. This new method features a simple structure, high reliability and a fail-safe mechanism – the internal mass returns to the original position even if the calibration is interrupted by power failure, etc.

One Touch Automatic Calibration (FZ-iWP models only)

With just one press of a key, you can ensure the accuracy of your balance.



(FZ-iWP)

(FX-iWP)

Compact, B5 Size Footprint

A&D's latest, Compact Super Hybrid Sensor (C-SHS) technologyⁱⁱ has significantly reduced the size of the FZ-iWP/FX-iWP Series – a 25% smaller footprint than the GX/GF Series – making it ideal for installation and use in narrow spaces. *ii Patent Pending

Fast, 1 Second Stabilization

While maintaining extremely high span stability, the C-SHS also realizes an ultra-fast response speed – just 1 second – to maximize your productivity and efficiency.

RS-232C Interface (standard)

Bi-directional communication is possible with a PC, printer or other peripheral device.



Dust & Water-Proof RS-232C Cable (optional)

Quick USB Interface (FXi-02)

The easy-to-use optional USB interface requires no driver or software installation for transfer of weighing data to a PC.ⁱⁱⁱ

LAN-Ethernet Interface (FXi-08) with WinCT-Plus Software

The user can send commands for controlling and acquiring data from multiple balances.



*iii Unidirectional communication from a balance to a PC only. Please use the standard RS-232C interface to send commands from a PC to the balance.

Shock Absorber Function^{iv}

The internal shock absorber protects the C-SHS from the adverse effects of vertical and transverse overloading. *iv Patent Pending

Multiple Weighing Units

Programmable or standard weighing units of measurement can be selected: g, pcs, %, oz, lb, L oz, ozt, ct, mom, dwt, GN, tl, tol, mes, and MLT.

Statistical Calculation Function

The balance displays and/or outputs statistical calculation data as No. (number of data), SUM (total), MAX (maximum), MIN (minimum), R [range (maximum – minimum)], AVE (average), SD (standard deviation) and CV (coefficient of variation).

Built-in Rechargeable Battery (FXi-09)

An optional Ni-MH rechargeable battery pack can be fitted into the balance for use without AC power and for mobile applications (10 hours charging time for 8 hours operation).

Large Breeze Break (FXi-WP-11)

Note:
All FZ-iWP models, the FX-120iWP, the FX-200iWP and the FX-300iWP come with a small breeze break as standard.



Specifications

	FZ-120iWP FX-120iWP	FZ-200iWP FX-200iWP	FZ-300iWP FX-300iWP	FZ-1200iWP FX-1200iWP	FZ-2000iWP FX-2000iWP	FZ-3000iWP FX-3000iWP
Weighing capacity	122g	220g	320g	1220g	2200g	3200g
Minimum weighing value		0.001g			0.01g	
Counting mode	Minimum unit mass	0.001g			0.01g	
	Number of samples		5, 10, 25, 50 or 100 pieces			
Percent mode	Minimum 100% reference mass	0.100g			1.00g	
	Minimum 100% display	0.01%, 0.1%, 1% (depends on the reference mass stored)				
Repeatability (Standard Deviation)		0.001g			0.01g	
Linearity		±0.002g			±0.02g	
Stabilization time (typically set at FAST)	Approx. 1 second					
Sensitivity drift (10°C to 30°C)	±2ppm / °C					
Operating temperature	5°C to 40°C (41°F to 104°F), 85%RH or less (no condensation)					
Display type	Vacuum Fluorescent Display (VFD)					
Display refresh rate	5 times /second, 10 times /second or 20 times /second					
Standard interface	RS-232C Interface					
Weighing pan (diameter)	130mm			150mm		
Internal calibration	Air-pump Controlled Internal Calibration (FZ-iWP models only)					
External calibration mass	100g 50g	200g 100g	300g 200g 100g	1000g 500g	2000g 1000g	3000g 2000g 1000g
AC adaptor	Confirm that the adaptor type is correct for the local voltage and power receptacle					
Power consumption	Approx. 11VA (supplied to the AC adaptor)					
External dimensions	193 (W) X 262.5 (D) X 85.5 (H) mm					
Net weight	FZ-iWP Approx. 3.2kg / FX-iWP Approx. 2.7kg					

Options

- FXi-02*** Quick USB interface with cable
- FXi-08*** Ethernet interface with WinCT-Plus software
- FXi-09*** Built-in rechargeable battery
- FXi-WP-10** Small breeze break (gray)
- FXi-WP-11** Large breeze break (gray)
- FXi-12** Animal weighing pan
- FXi-15** Carrying case

* FXi-02, FXi-08 and FXi-09 cannot be used at the same time
(Not IP65 compliant when used with FZ,FX-iWP)

Accessories

- AD-1683** Static eliminator
- AD-1684** Electrostatic fieldmeter
- AD-1688*** Weighing data logger
- AD-1689** Tweezers for calibration weight
- AD-8920A*** Remote display
- AD-8922*** Remote controller
- AD-8121B*** Compact printer
- AD-8118C*** Universal printer
- AD-8526*** Serial/Ethernet converter
- AD-8527*** Quick USB adaptor
- AX-USB-9P*** Serial/USB converter
- AX-KO2737-500-EX** Waterproof RS-232C cable (5m)
- AX-CARATPAN-W** Carat pan (silver, 2pcs)
- AX-CARATPAN-B** Carat pan (black, 2pcs)
- AX-FXi-31** Main unit cover (5pcs)

* (Not IP65 compliant when used with FZ,FX-iWP)



FXi-12

A&D

...Clearly a Better Value

A&D Company, Limited
3-23-14 Higashi-Ikebukuro, Toshima-ku, Tokyo 170-0013 JAPAN
Telephone:[81](3) 5391-6132 Fax:[81](3) 5391-6148
http://www.aand.jp

A&D ENGINEERING, INC.
1756 Automation Parkway, San Jose, CA 95131 U.S.A.
Telephone:[1](408) 263-5333 Fax:[1](408) 263-0119

A&D MERCURY PTY. LTD.
32 Dew Street, Thebarton, South Australia 5031 AUSTRALIA
Telephone:[61](8) 8301-8100 Fax:[61](8) 8352-7409

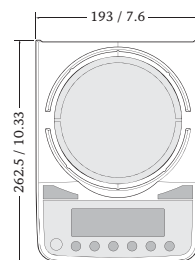
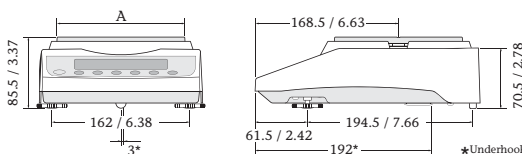
A&D INSTRUMENTS LTD.
Unit 24/26 Blacklands Way Abingdon Business Park,
Abingdon, Oxon OX14 1DY UNITED KINGDOM
Telephone:[44](1235) 550420 Fax:[44](1235) 550485

<German Sales Office>
Große Straße 13 b 22926 Ahrensburg GERMANY
Telephone:[49](0) 4102 459230 Fax:[49](0) 4102 459231

A&D KOREA Limited
Manhattan Bldg. 8F, 36-2 Yoido-dong, Youngdeungpo-gu, Seoul, KOREA
Telephone:[82](2) 780-4101 Fax:[82](2) 782-4280

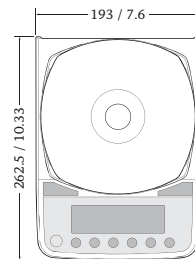
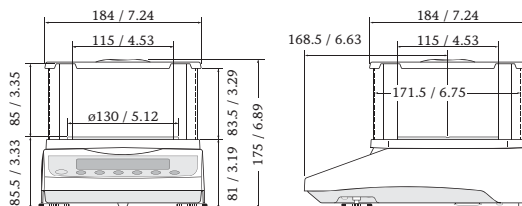
External Dimensions (mm/inches)

Pan size	A
FZ,FX-120iWP / 200iWP / 300iWP	130 / 5.12
FZ,FX-1200iWP / 2000iWP / 3000iWP	150 / 5.91

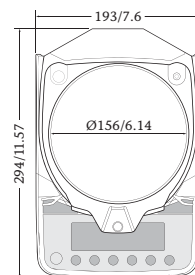
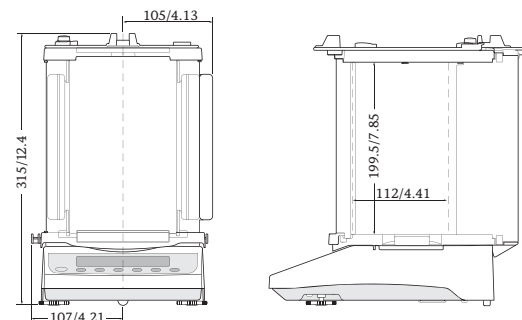


Dimensions with Small Breeze Break (FXi-WP-10)

(Comes equipped with FZ,FX-120iWP/200iWP/300iWP, FZ-1200iWP/2000iWP/3000iWP)



Dimensions with Large Breeze Break (FXi-WP-11)



Proudly Sold & Serviced By:

Able Scale Co Pty Ltd

Ph: 1300 731 360

21 Green St Thomastown VIC. 3074

find us on the web: www.ablescale.com.au