

Weight Indicator General Purpose - R420-K402

Features

- 100,000 div @ 0.25 μ V/Div
- 16 x 350 Ω cells
- On-board serial outputs
- Custom printing, auto output
- Counting with piece weight entry
- Programmable unit conversion
- 3 assignable function keys
- 8 set points
- 32 input/output (option)
- Analogue module with isolated outputs (option)
- Product storage
- Battery and AC option
- Trade approved to 10,000 div

Description

The R420-K402 indicator is a comprehensive general purpose indicator designed with both the installer and operator in mind.

Flexibility is the key with its award winning modular accessory design. Modules include: additional serial options, input/outputs, analogue outputs, external buttons and battery or AC option.

The robust I/O has been designed for direct connection into PLC's.

Powerful product configuration allows for parameters like setpoint targets, piece weights and units conversions to be stored for each product.

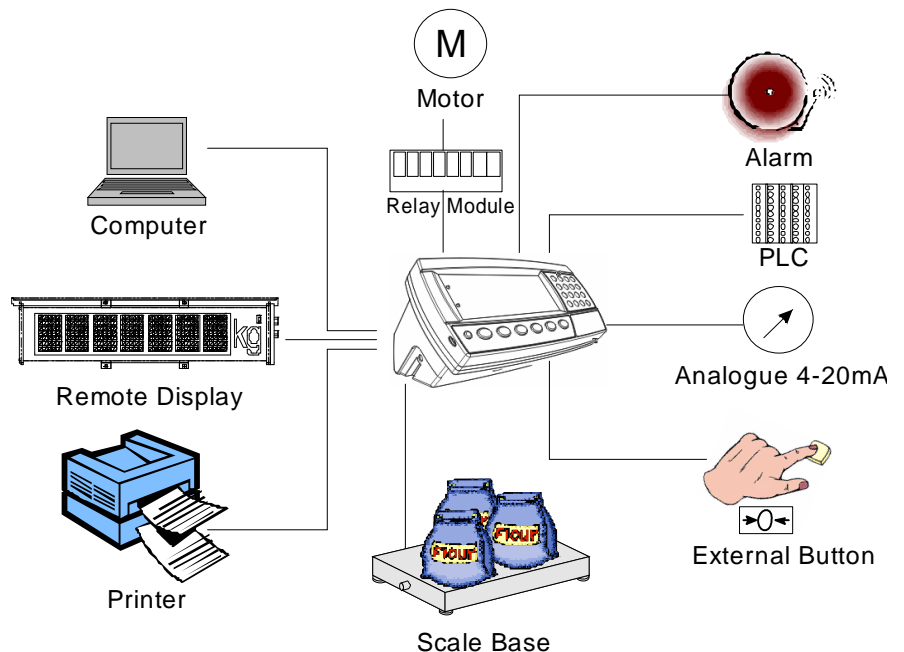
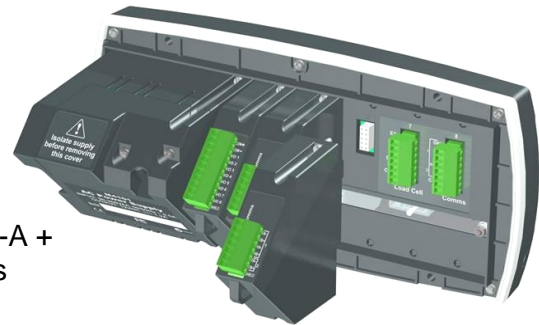
Simple setup through a menu system, either directly using the alpha numeric keypad or through our Viewer programme on a PC.

Operator friendly, with a large two line display using logical prompts, and dedicated and programmable function keys. Printing can be tailored with custom record, docket or reports printouts.

R420-K402-A +
M4001



R420-K402-A +
modules

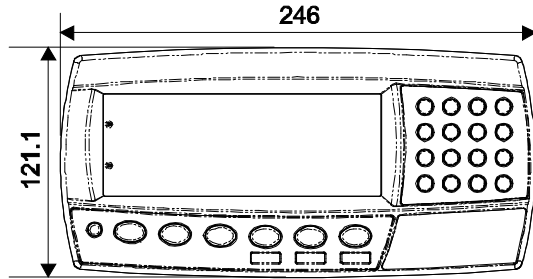
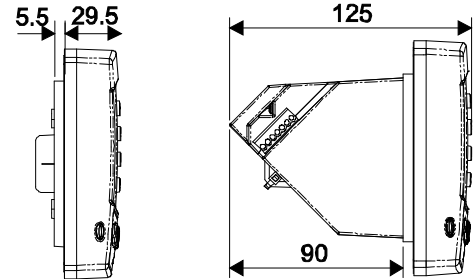
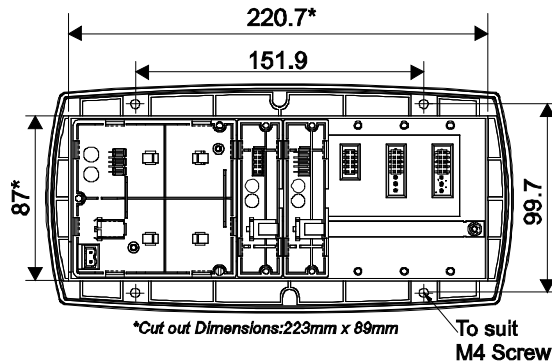
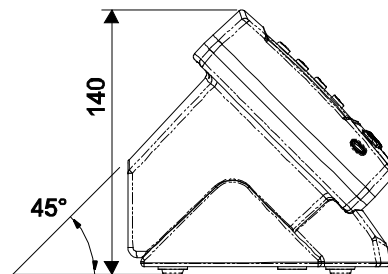


Applications

- Weighbridges
- Floor scales
- Goods receiving and shipping
- Parts counting
- Silo weighing
- Process control

Order Codes

- | | |
|-------------------------------------|-------------|
| Indicator, VDC,
Panel Mount, ABS | R420-K402-A |
| Upgrade Kit, to
K402, | K402 |
| Refer to R420
Family Accessories | |

Weight Indicator
Front View

Dimensions in mm (1 inch = 25.4 mm)
Side View

Back View

Side View With Boot and Stand

Specifications
Approvals

Australia	NMI(S-418)	10,000 Divs. @ 0.7µV/Div
EU	OIML R76,	10,000 Divs. @ 0.7µV/Div
	C-Tick, CE & FCC	

Physical

Display Type	LCD display;LED backlight
Digit Size	29mm Primary,18mm Secondary
Keypad	23 Silicon Keys
Power Switch	Front Panel with Memory
Housing	ABS Plastic IP65 front only
Dimensions	246(W) x 121(H) x 36(D) mm
Pack Weight	0.70 kg

Function Keys 3 Fixed, 3 Programmable

Power

DC	12-24 VDC
AC	110-240 VAC (Acc)
Battery	12V 2.5Ah NiMH (Acc)

Load cell

Excitation	7.4V DC
Drive	16 x 350 ohm
Sensitivity	100,000 div @ 0.25 µV/Div
Linearisation	10 points
Range	Single/Dual Range, Dual Interval

Features

Serial 1A	RS232
Serial 1B	RS485 TX Only
Accessory Slots	4
Input/Output	16 I/O + 4 Inputs (opt)
Set Points	8

Functions

Counting with Piece Weight Entry,
Clock Calendar, 4/6 Wire
Custom Unit Switching,
Hold & Peak Hold
Custom Printing, Auto Output
Optional extra Serial Ports
Optional Analogue Output

Performance

Zero Cancellation	+/- 2.0mV/V
Span Adjustment	0.1mV/V to 3.0mV/V
A/D Type	24bit Sigma Delta with ±8,388,608 internal counts

Stability/Drift

Zero	< 0.1 V/ C (+ 10ppm of deadload max)
Span	< 10 ppm/ C
Linearity	< 20ppm
Noise	< 0.2 Vp-p

Operating Environment

Temperature	-10 to +50 C ambient
Humidity	<90% non-condensing
Storage	-20 to +50 C ambient

Mounting

Panel mount standard
Desk and pole (opt)