



# LOG909



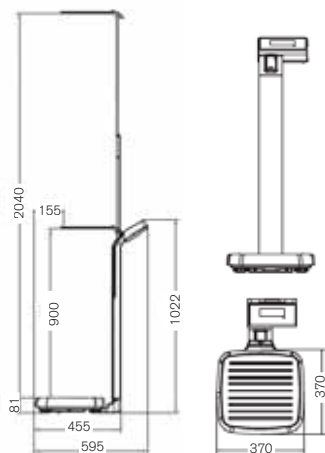
## FEATURES

- Heavy Duty Rugged Aluminium design
- Large 25mm Backlit LCD Display
- Rechargeable Battery or 240v Operation
- 200cm Height Rod
- Rear Mounted Wheels for easy moving
- Easy to use BMI function with Graph
- Nonslip Rubber Coated Platter

## Medical Scale with Height Rod



CONVENIENT  
SLIDE OUT HEIGHT  
ROD IN POLE



## DIMENSIONS (mm)

Distributed by:



Proudly Sold & Serviced By:

Able Scale Co Pty Ltd

Ph: 1300 731 360

21 Green St Thomastown VIC. 3074

find us on the web: [www.ablescale.com.au](http://www.ablescale.com.au)