



# OHAUS Aviator™ 5000

Standard Price Computing Retail Scale



## Rechargeable Battery

For complete mobility, the scale can be run via rechargeable battery with a long-lasting operation time of up to 180 hours.



## Ergonomic Grips

Two ergonomic grips on the lower side of the scale combined with its light net weight of only 4.2kg make it extremely easy to transport.



## Trade Approval

Approved and certified by National Measurement Institute (NMI), means the Aviator 5000 maintains the highest accuracy and allows quick data signal processing.



## Cable Case

With built-in cable storage, the work area is kept tidy, transportation is simple and the risk of mislaying the power cable is eliminated.



The Aviator 5000 is a modern, ergonomic compact scale available in weight ranges from 5g to 15kg. Coupled with battery operation, the Aviator 5000 is both a stylish and efficient tool for mobile selling.

Additional features include:

**Multiple Operation Functionalities** - the 50 PLU (price look up) memory and 32 preset keys enable users to set tares and perform zeroing.

**LCD Display** - clear and easy to read backlit display.

**Stainless Steel Construction** - large, robust and water resistant stainless steel weighing plate for hygienic weighing of any product.

# Aviator™ 5000 Standard Price Computing Retail Scale

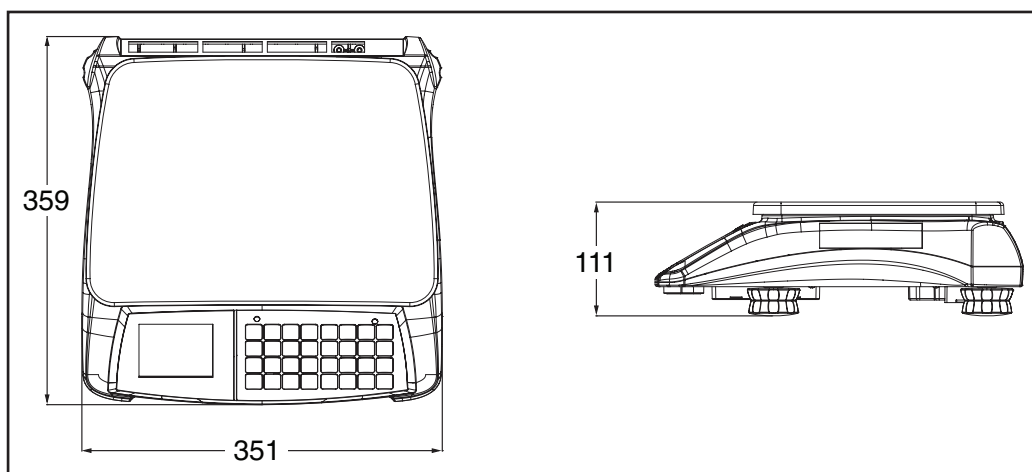
## General Specifications

Application Modes	Weighing and price computing
Features	Re-chargeable battery , large backlight LCD display, adaptor and cable case storage, ergonomic grips, easy adjustable feet and sleep mode

## Specifications

Model	A51P15L
Capacity	15kg/5g
Construction	Removable stainless steel pan with rounded edges, high grade polymer housing
Display	LCD with backlight; Weight display: 6 digits Price per kg display: 6 digits Price to pay display: 7 digits
Display Indicators	Zero, Tare, 100g, Change, Hold
Keyboard	32 membrane keys, 16 preset keys
Net Weight	4.2kg
Operating Temperature	-10°C~+40°C
Pan size	240 x 337mm
PLU Quantity	50
Power	Power adapter: 100~240VAC, 50/60Hz Battery: 6VDC/4.5AH lead-acid rechargeable battery
Scale Dimensions	480mm x 465mm x 180mm
Communication	None

## Outline Dimensions



Proudly Sold & Serviced By:  
Able Scale Co Pty Ltd  
Ph: 1300 731 360

21 Green St, Thomastown VIC. 3074

find us on the web... [www.able-scale.com.au](http://www.able-scale.com.au)

[www.ohaus.com](http://www.ohaus.com)

ISO 9001:2008  
Registered Quality Management System

© Copyright Ohaus Corporation

